

KILOTECH

KPS 60 SS & KPS 150 SS

851290 & 851291

MAN05312022

Operations and Calibration Manual



Contents subject to change without notice

www.kilotech.com

Introduction

Thank you for choosing a Kilotech Scale. We appreciate your business and hope that you will enjoy using your scale. Should you require Technical Support, please contact your local dealer from whom you have purchased.

General Precautions

Avoid lengthy exposure to heat or cold	Allow the scale to acclimate to normal room temperature before use
Allow sufficient warm up time	Turn the scale on and wait for a few minutes to allow the internal components a chance to stabilize before weighing
Do not leave a load or weight on a scale for a prolonged period of time	Might damage load cell
Do not tamper with the scale yourself	This will void the warranty. Contact your local distributor or Kilotech directly to properly repair your scale
Do not overload beyond the maximum weight limit	
Do not pull the plug by its cord when unplugging	
Do not use the scale near fire or corrosive gas	
Unless the scale is waterproof do not spill water or immerse in water	
Avoid placing the scale near a heater	It could cause a fluctuation to the indicator reading
Always make sure to use a Kilotech approved adapter	
Do not drop the scale or apply a sudden shock	
Do not drag the scale	
Avoid exposing to other electromagnetic devices	These devices emit RF and can cause unstable readings. If your scale should perform poorly, try moving the scale to a different room or location
Level the scale or make sure it is on an even surface	A scale used on an uneven surface may provide an unstable reading
Scale should be used within stated temperature & humidity limits	

Specifications

Product Number	851290 AND 851291
Capacity & Graduation	851290 60 kg x 20 g / 130 lb x 0.05 lb / 2116 oz. x 1 oz. 851291 150 kg x 50 g / 330 lb x 0.1 lb / 5290 oz. x 2 oz.
Weighing Modes	kg / lb / oz.
Display	1" LCD with Backlight. 4.5" x 1.5".
Auto Power Off	Yes programmable.
Power	Adapter (included) or batteries (not included).
Product Dimensions	16" x 14" x 2.5" for the base and 10.5" x 3.5" x 1.5" for the indicator
Platter Size	14" x 16" x 2.5" stainless steel
Connectivity	RS232 for labels



ON/OFF:

- Power switch is on the left side of the indicator .



ZERO (TARE):

- Press this key to return scale to zero or to tare the weight on the platter (subtract the weight of the empty container for example).



UNIT:

- Press this key to toggle between weighing modes available : kg and lbs.



TARE FUNCTION

1. Put an empty container on the platter.
2. Press ZERO. The display will show "0".
3. Put items to be weighed in the container. Only the weight of the items will be displayed.
4. To cancel the TARE function, empty the platter and press TARE. The scale will return to 0.00_
5. NOTE: TARE works by subtraction 100% from full capacity.



- Press this key to store weight value.

Auto-off function setting

Make sure the scale is off.

Press and hold the ZERO key (Do not release) and turn the scale on The display will show SET (Do not release ZERO key)

While keeping the ZERO key down, press the TARE key three times The display will show A.OFF (You can now release the ZERO key) Press the UNITS key to enter the auto off adjustment mode

Press TARE to scroll through the Auto off time adjustments

Once the desired time is found press the ZERO key to confirm You can now turn the scale off and the auto off time will be set.

CALIBRATION

If you are encountering problems calibrating your scale, please contact your dealer for further assistance. This is necessary because the weight of a mass in one location is not necessarily the same in another location. Also, with time and use, mechanical deviations may occur.

NOTE: Calibration has been done in factory already. Do not recalibrate it unless it is extremely inaccurate. If you have any problems about calibration, please contact with the dealer who will provide you professional guidance.

This scale requires 50% of the capacity in Test weights. Please make sure you have them PRIOR to performing the calibration.

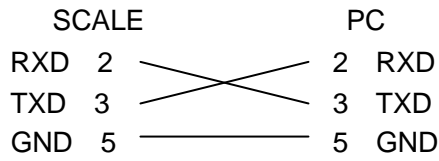
1. You need a test weight to perform this calibration.
2. Press and hold down the ZERO key and Tare key and then switch the power to ON which is on the left side of the indicator, the display will show CAL then the A/D value.
3. Press TARE key. The display will show the calibration weight which you set.
4. Place the calibration weight on the scale's platter.
5. Press the TARE key.
6. The display will show several dashes (- - - -) and then the A/D value.
7. Remove the weight.
8. The calibration is now complete.
9. Troubleshooting (if calibration is ineffective):
 - a. Try a more stable surface
 - b. Move to an interference free location
 - c. Replace batteries

FUNCTION SETTING

1. A-OFF: Time for auto-off (120s / 180s / 300s / OFF)
2. bL: Backlight (On/Auto/OFF/STB)
3. Units : Weighing units (kg / lb/oz)
4. Por.u: Power on units (kg / lb/oz/kg.lb.oz)
5. G.sw : Gravity (On/OFF)
6. Bmi.sw: Body mass index mode(On/OFF)
7. bAud : Baut rate (1200 / 2400/4800 /9600)
8. PAr: Parity bit(none/odd/EwEn)
9. Mod : Transmission mode(kEy/Stb/coN/OFF)
10. Ani,sw : Animal mode(On/OFF)
11. FiLd.L: Filter level(STr/WEEK/nor)
12. Lock.r : Locking range (10/30/50/OFF)
13. Pzr : Zero range when power on(3/4/10/20)
14. Kzr : Key zero range(3/4/5/10)

RS232 TRANSMIT FUNCTION

1. RS232 interface: DB9



2. RS232 Transmission Agreement:

- Mode: Simplex Asynchronous Serial
- Baud rate: 9600
- Data Bit: 8
- Parity Bit: NONE
- Stop Bit: 1
- Data Format: ASCII

3. Transmission Information Format: 20 Byte , blank=20H

M= overload mode

W= normal weighing mode

: = weight information

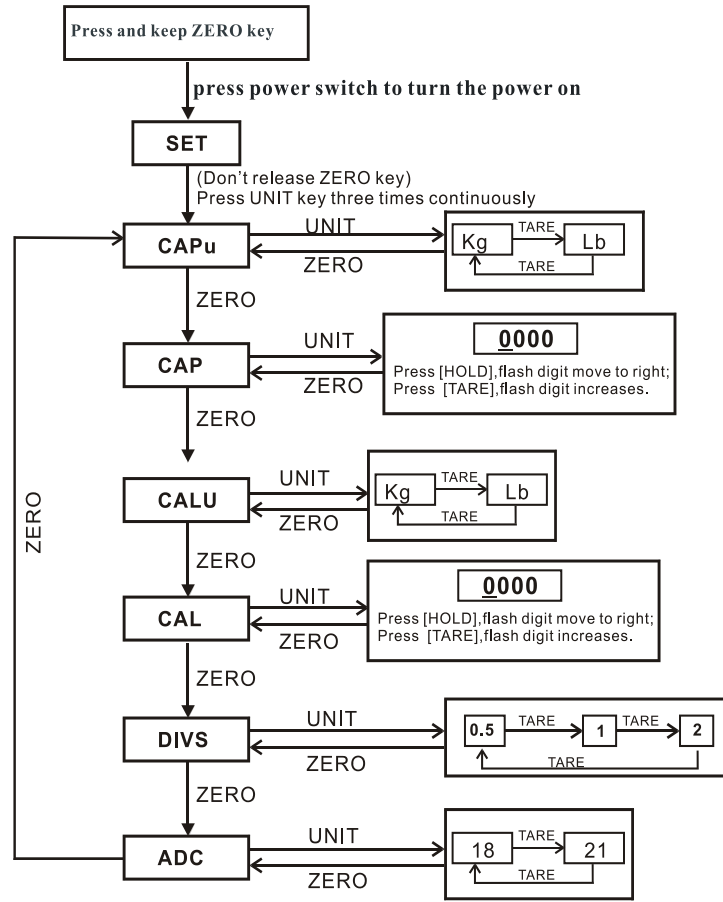
1	2	3	4	5	6	7	8	9	10	11	12	13	14	15	16	17	18	19	20
W/M	:	±																CR	LF

Weight information Unit formation

Exempla:50kg

1	2	3	4	5	6	7	8	9	10	11	12	13	14	15	16	17	18	19	20
W	:	+						5	0	.	0	k	g					CR	LF

TABLE 1



1. CAPU, full capacity unit kg or lb.
2. CAP, full capacity.
3. CALU=, calibration unit kg or lb.
4. CAL, calibration weight.
5. DIVS, division.
6. ADC, ADC conversion number selection (18~20).

TABLE2

